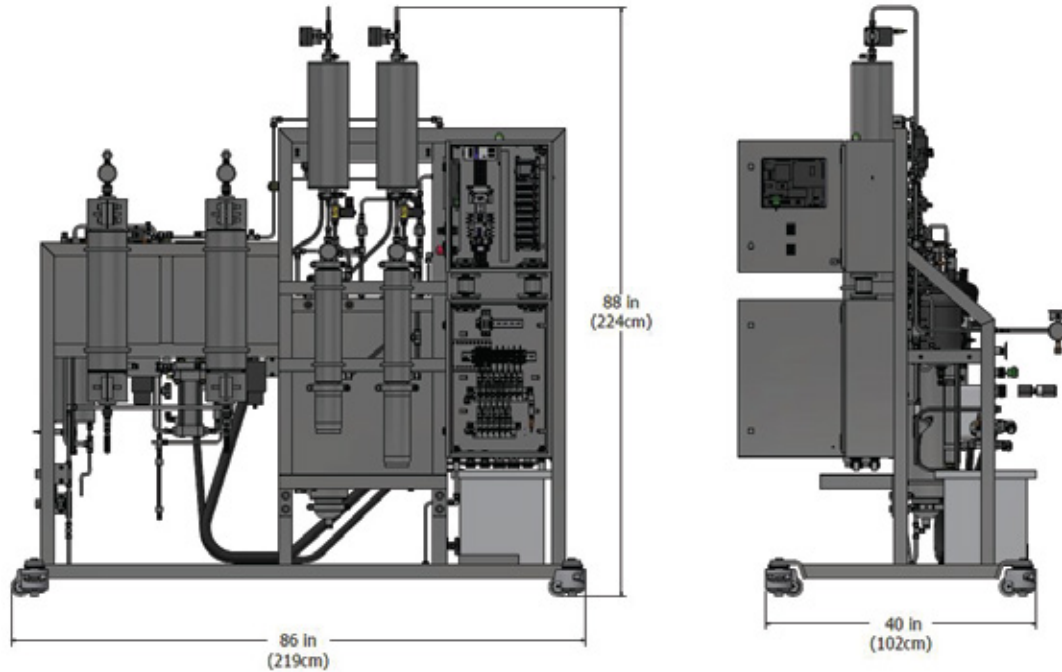




CDMH.5-2x-2f SPECIFICATIONS



DIMENSIONS:

Extractor

Length – 86" (219cm)

Width – 40" (102cm)

Height – 88" (224cm)

WEIGHT:

Extractor – 1,100 lbs. (499kg)

*Weights are based off CAD data.
Actual weights may differ*

ELECTRICAL:

Extractor (CDMH.5-2x-2f)

60Hz - Voltage: 208-230V, 60Hz, single phase 2 pole (no neutral) - Current: 30A (40A breaker and wire)

50Hz - Voltage: 200-208V, 50Hz, single phase 2 pole (no neutral) - Current: 30A (40A breaker and wire)

SPACE REQUIRED:

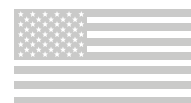
Extractor: Minimum operating space is 3ft (1m) around 3 sides and 5ft (1.5m) in the back.

CERTIFICATIONS:



Class: CSA-C22.2 No. 61010-1-12

Class: UL Standard 61010-1



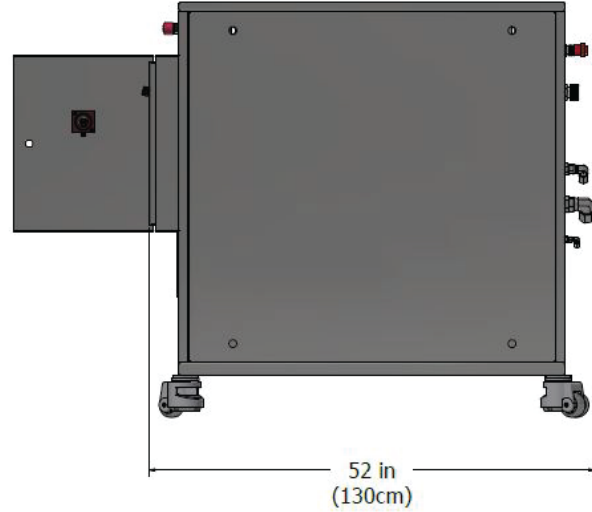
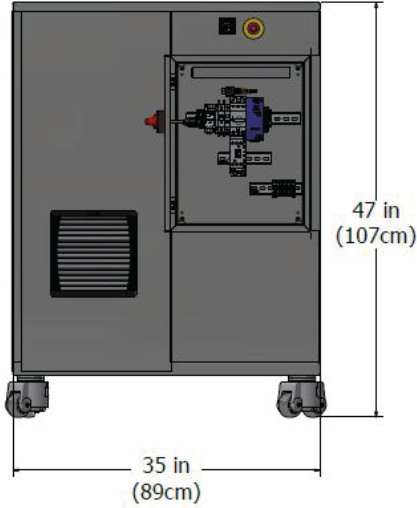
MADE IN THE USA



CERTIFICATIONS



HYDRAULIC POWER UNIT SPECIFICATIONS



DIMENSIONS:

Hydraulic Power Unit

Length – 52" (130cm)

Width – 35" (89cm)

Height – 47" (107cm)

WEIGHT:

Hydraulic Power Unit – 720 lbs. (326kg)

*Weights are based off CAD data.
Actual weights may differ*



ELECTRICAL:

Hydraulic Power Unit (HPP_7.5)

60Hz - Voltage: 208-230V, 60Hz, three phase - Current: 22.4A (40A breaker and wire)

50Hz - Voltage: 200-208V, 50Hz, three phase - Current: 22.4A (40A breaker and wire)

SPACE REQUIRED:

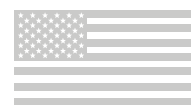
Hydraulic Power Unit: Minimum operating space is 3ft (1m) around all sides. Can be remote located up to 20ft (6.1m) from the extractor. If location will be further, please contact an IES representative.

CERTIFICATIONS:



Class: CSA-C22.2 No. 61010-1-12

Class: UL Standard 61010-1

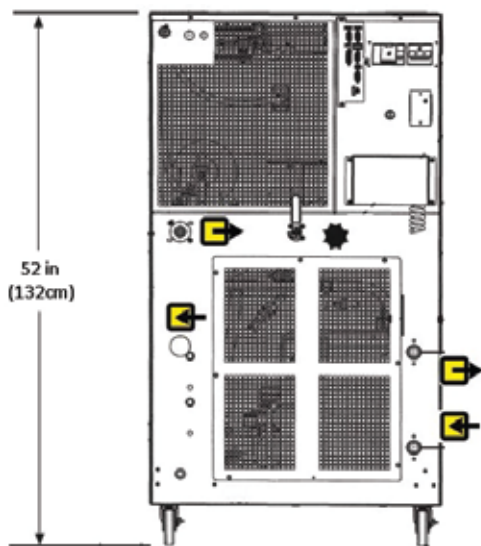


MADE IN THE USA

CERTIFICATIONS



THERMOFISHER CHILLER SPECIFICATIONS



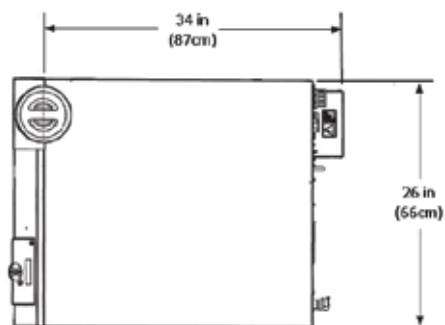
DIMENSIONS:

Chiller

Length – 34" (87cm)

Width – 26" (66cm)

Height – 52" (132cm)



WEIGHT:

Chiller – 356 lbs. (162kg)

*Weights are based off CAD data.
Actual weights may differ*

ELECTRICAL:

Chiller (TF10000)

60Hz - Voltage: 208-230V, 60Hz, three phase - Current: 36.4A (50A breaker and wire)

50Hz - Voltage: 200-208V, 50Hz, three phase - Current: 36.4A (50A breaker and wire)

SPACE REQUIRED:

Chiller: Minimum operating space is 3ft (1m) around all sides. Can be remote located up to 20ft (6.1m) from the extractor. If location will be further, please contact an IES representative.

CERTIFICATIONS:



Class: CAN/CSA-C22.2 No. 61010-1-04

Class: ANSI/UL Standard 61010-1



MADE IN THE USA



CERTIFICATIONS